



*Crafting ideas into light*

## CS-MOUNT

### **Conductive Cooled Package**

A conductive cooled package with a great heat dissipation and an unprecedented low smile. A huge variety of bars is available in this package and the central wavelength can be tuned to your needs



CS-MOUNT / 930 - 940 nm

Product specification are subject to change without notice.  
For complete details, please contact your local MONOCROM sales representative.

**UNE EN ISO 9001:2008**

**MONOCROM S.L.**

C/Vilanova 6  
08800 Vilanova i la Geltrú (Barcelona)  
Spain  
T. +34 938 149 450  
F. +34 938 143 767  
E. sales@monocrom.com  
[www.monocrom.com](http://www.monocrom.com)

P <sub>peak</sub> (W)	Fill Factor (%)	# emitters	Emitter size (μm)	Emitter pitch (μm)	I <sub>op</sub> (A)	I <sub>th</sub> (A)	η (W/A)	e-o eff (%)	SA div* (°)	FA div* (°)	Optics options
50	18	10	90	500	50	5	1.1	60	5.5	26	FAC/SAC
60	20	19	100	500	60	5	1.1	62	5	27	FAC/SAC
60	30	19	150	500	62	7	1.1	62	5	27	FAC/SAC
80	20	19	100	500	77	7	1.1	62	5	27	FAC/SAC
80	30	19	150	500	82	9	1.1	61	5	27	FAC/SAC
80	50	47	100	200	84	11	1.1	62	5	27	FAC
120	50	25	200	400	124	16	1.1	63	6	30	FAC
120	50	47	100	200	123	14	1.1	62	5	27	FAC
150	50	48	100	200	149	16	1.1	63	4	26	FAC
160	50	47	100	200	170	24	1.1	56	5	27	FAC
200	50	25	200	400	205	24	1.1	56	5	27	FAC
200	55	52	100	180	210	22	1.1	60	4	30	FAC
250	50	47	100	200	265	28	1.1	63	6	30	FAC
300	75	37	190	250	290	26	1.15	60	7	23	FAC
400	80	34	220	289	370	20	1.1	65	7	30	FAC

Spectral width\* ~ 3 nm

Wavelength thermal shift ~ 0.3 nm/K

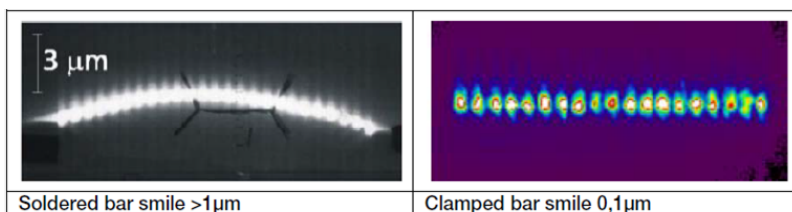
Polarization direction: TE >90%

Voltage drop ~ 2 V

\* Measured at FWHM

### Smile < 0.5 μm

Our patented solder-free technology is used in our diode bars stacks. Thanks to it we avoid smile effect and provide stacks with better overall performance.





Our diode bars are in direct contact with 2 heat sinks that help them cool easier



We avoid water obstructions thanks to the use of macro-channels



Solder-free clamped bars expand and contract freely avoiding mechanical stress



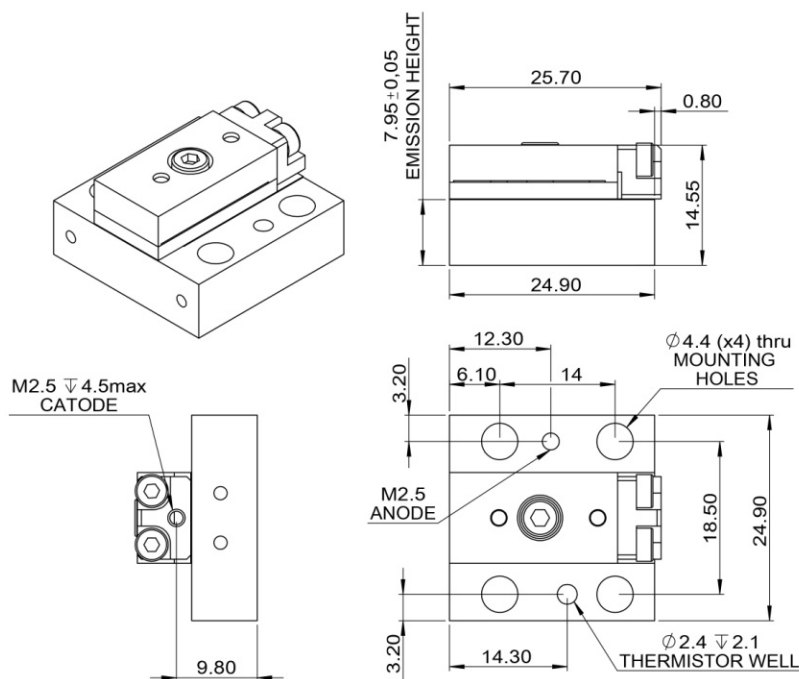
The lack of a "smile" allows a superb beam. Our diode bar mounts achieve higher energy per pulse and excellent beam quality, thus higher brightness




When mechanical stress is not an issue any more, product life-time increases significantly

Outline

1 bar package



**Ordering Information:**



800 Village Walk #316  
 Guilford, CT 06437  
 Ph: 203-401-8093

Email orders to: [sales@xsoptix.com](mailto:sales@xsoptix.com)  
 Fax orders to: 800-878-7282