



Crafting ideas into light

AS-MOUNT

Actively Cooled Package

A two-sides water cooled mount for a single bar with macro-channels that avoid the common issues with obstructions. A huge variety of bars is available in this package and the central wavelength can be tuned to your needs



AS-MOUNT / 930 - 940 nm

Product specification are subject to change without notice.
For complete details, please contact your local MONOCROM Representative.

UNE EN ISO 9001:2008

MONOCROM S.L.

C/Vilanoveta 6
08800 Vilanova i la Geltrú (Barcelona)
Spain
T. +34 938 149 450
F. +34 938 143 767
E. sales@monocrom.com
www.monocrom.com

Technical specifications (typical values)

λ930 - 940 nm

P _{peak} (W)	Fill Factor (%)	# emitters	Emitter size (μm)	Emitter pitch (μm)	I _{op} (A)	I _{th} (A)	η (W/A)	e-o eff (%)	SA div* (°)	FA div* (°)	Optics options
50	18	10	90	500	50	5	1.1	60	5.5	26	FAC/SAC
60	20	19	100	500	60	5	1.1	62	5	27	FAC/SAC
60	30	19	150	500	62	7	1.1	62	5	27	FAC/SAC
80	20	19	100	500	77	7	1.1	62	5	27	FAC/SAC
80	30	19	150	500	82	9	1.1	61	5	27	FAC/SAC
80	50	47	100	200	84	11	1.1	62	5	27	FAC
120	50	25	200	400	124	16	1.1	63	6	30	FAC
120	50	47	100	200	123	14	1.1	62	5	27	FAC
150	50	48	100	200	149	16	1.1	63	4	26	FAC
160	50	47	100	200	170	24	1.1	56	5	27	FAC
200	50	25	200	400	205	24	1.1	56	5	27	FAC
200	55	52	100	180	210	22	1.1	60	4	30	FAC
250	50	47	100	200	265	28	1.1	63	6	30	FAC
300	75	37	190	250	290	26	1.15	60	7	23	FAC
400	80	34	220	289	370	20	1.1	65	7	30	FAC

Spectral width* ~ 3 nm
Wavelength thermal shift ~ 0.3 nm/K
Polarization direction: TE >90%
Voltage drop ~ 2 V

* Measured at FWHM

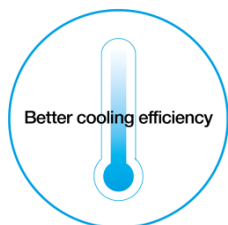
Super high brightness

The lack of a "smile" allows a superior beam quality. Together with a double-side macro channel coolers our diode bars achieve higher energy per pulse and excellent beam quality, thus higher brightness.

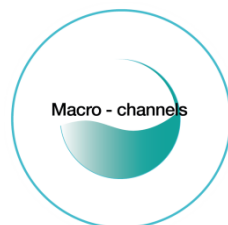


Clamping™ patented technology

main advantages



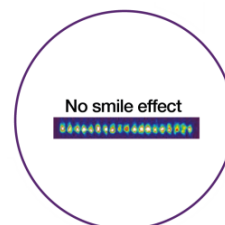
Our diode bars are in direct contact with 2 heat sinks that help them cool easier



We avoid water obstructions thanks to the use of macro-channels



Solder-free clamped bars expand and contract freely avoiding mechanical stress



Our patented solder-free technology is used in our diode bars stacks. Thanks to it we avoid smile effect and provide stacks with better overall performance.



When mechanical stress is not an issue any more, product life-time increases significantly

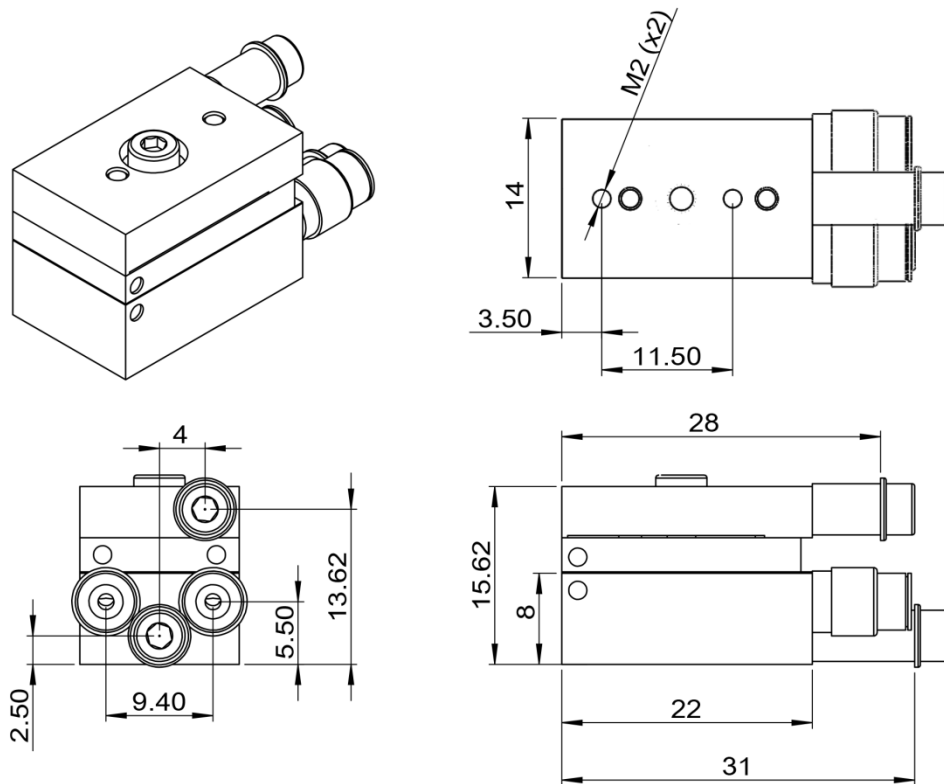
AS-MOUNT / 930 - 940 nm

Product specification are subject to change without notice.
For complete details, please contact your local MONOCROM Representative.

MONOCROM S.L.

C/Vilanoveta 6
08800 Vilanova i la Geltrú (Barcelona)
Spain
T. +34 938 149 450
F. +34 938 143 767
E. sales@monocrom.com
www.monocrom.com

UNE EN ISO 9001:2008



Ordering Information:



800 Village Walk #316
 Guilford, CT 06437
 Ph: 203-401-8093

Email orders to: sales@xsoptix.com
 Fax orders to: 800-878-7282

AS-MOUNT / 930 - 940 nm

Product specification are subject to change without notice.
 For complete details, please contact your local MONOCROM Representative.

UNE EN ISO 9001:2008

MONOCROM S.L.

C/Vilanoveta 6
 08800 Vilanova i la Geltrú (Barcelona)
 Spain
 T. +34 938 149 450
 F. +34 938 143 767
 E. sales@monocrom.com
www.monocrom.com