

monocrom 

Crafting ideas into light

AS-MOUNT

Actively Cooled Package

A two-sides water cooled mount for a single bar with macro-channels that avoid the common issues with obstructions. A huge variety of bars is available in this package and the central wavelength can be tuned to your needs



AS-MOUNT / 910 - 920 nm

Product specification are subject to change without notice.
For complete details, please contact your local MONOCROM Representative.

UNE EN ISO 9001:2008

MONOCROM S.L.

C/Vilanoveta 6
08800 Vilanova i la Geltrú (Barcelona)
Spain
T. +34 938 149 450
F. +34 938 143 767
E. sales@monocrom.com
www.monocrom.com

Technical specifications (typical values)

λ910 - 920 nm

P _{peak} (W)	Fill Factor (%)	# emitters	Emitter size (μm)	Emitter pitch (μm)	I _{op} (A)	I _{th} (A)	η (W/A)	e-o eff (%)	SA div* (°)	FA div* (°)	Optics options
40	30	19	150	500	40	4	1.1	60	7	27	FAC/SAC
50	18	10	90	500	50	5	1.1	62	5.5	26	FAC/SAC
60	20	19	100	500	59	5	1.1	57	6	27	FAC/SAC
80	20	19	100	500	78	8	1.15	62	6	27	FAC/SAC
80	30	19	150	500	81	8	1.1	62	7	27	FAC/SAC
120	50	25	200	400	124	16	1.09	63	6	30	FAC
120	50	48	100	200	133	20	1.1	57	6	26	FAC
150	50	24	200	400	150	16	1.1	60	6	26	FAC
150	50	48	100	200	150	16	1.1	60	6	26	FAC
200	50	23	200	400	202	27	1.15	63	6	26	FAC
200	50	25	200	400	194	27	1.19	60	6	26	FAC
200	50	52	100	180	210	22	1.1	58	6	30	FAC
250	50	47	100	200	280	25	1.1	63	6	30	FAC
250	60	47	120	200	280	25	1.1	63	7	30	FAC

Spectral width* ~ 3 nm

Wavelength thermal shift ~ 0.3 nm/K

Polarization direction: TE >90%

Voltage drop ~ 2 V

* Measured at FWHM

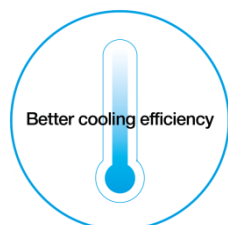
Super high brightness

The lack of a "smile" allows a superior beam quality. Together with a double-side macro channel coolers our diode bars achieve higher energy per pulse and excellent beam quality, thus higher brightness

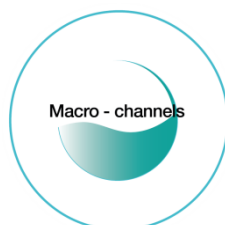


Clamping™ patented technology

main advantages



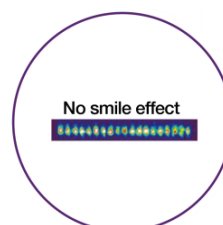
Our diode bars are in direct contact with 2 heat sinks that help them cool easier



We avoid water obstructions thanks to the use of macro-channels



Solder-free clamped bars expand and contract freely avoiding mechanical stress



Our patented solder-free technology is used in our diode bars stacks. Thanks to it we avoid smile effect and provide stacks with better overall performance.



When mechanical stress is not an issue any more, product life-time increases significantly

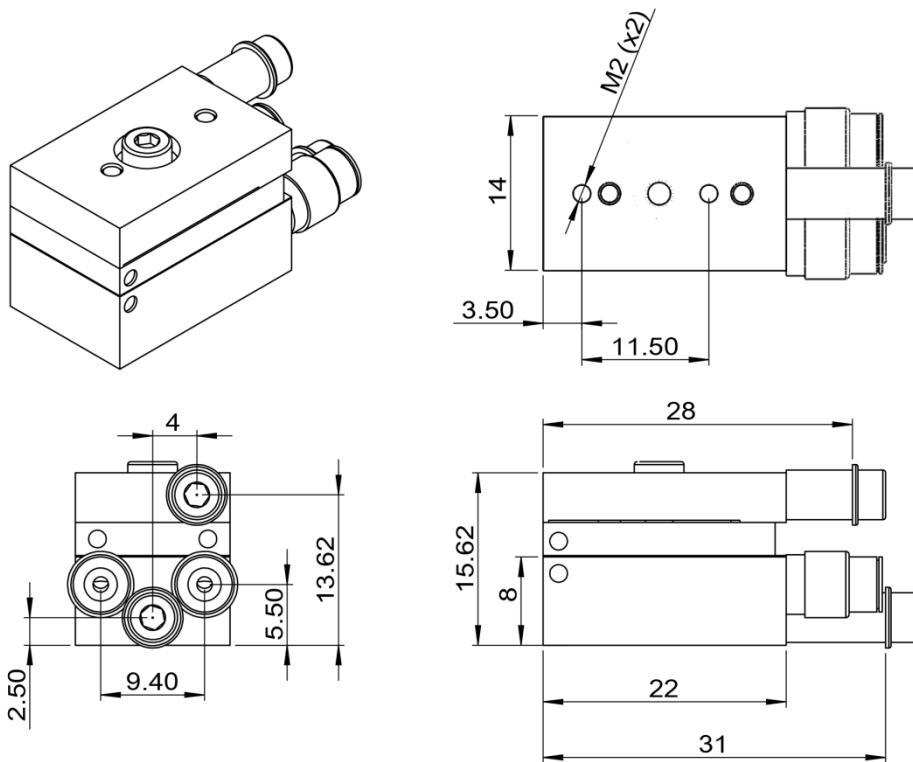
AS-MOUNT / 910 - 920 nm

Product specification are subject to change without notice.
For complete details, please contact your local MONOCROM Representative.

MONOCROM S.L.

C/Vilanoveta 6
08800 Vilanova i la Geltrú (Barcelona)
Spain
T. +34 938 149 450
F. +34 938 143 767
E. sales@monocrom.com
www.monocrom.com

UNE EN ISO 9001:2008



Ordering Information:



800 Village Walk #316
Guilford, CT 06437
Ph: 203-401-8093

Email orders to: sales@xsoptix.com
Fax orders to: 800-878-7282

AS-MOUNT / 910 - 920 nm

Product specification are subject to change without notice.
For complete details, please contact your local MONOCROM
Representative.

UNE EN ISO 9001:2008

MONOCROM S.L.

C/Vilanoveta 6
08800 Vilanova i la Geltrú (Barcelona)
Spain
T. +34 938 149 450
F. +34 938 143 767
E. sales@monocrom.com
www.monocrom.com