



Crafting ideas into light

AS-MOUNT

Actively Cooled Package

A two-sides water cooled mount for a single bar with macro-channels that avoid the common issues with obstructions. A huge variety of bars is available in this package and the central wavelength can be tuned to your needs



AS-MOUNT / 780 - 830 nm

Product specification are subject to change without notice.
For complete details, please contact your local MONOCROM Representative.

UNE EN ISO 9001:2008

MONOCROM S.L.

C/Vilanoveta 6
08800 Vilanova i la Geltrú (Barcelona)
Spain
T. +34 938 149 450
F. +34 938 143 767
E. sales@monocrom.com
www.monocrom.com

Technical specifications (typical values)

λ 780 - 830 nm

P _{peak} (W)	Fill Factor (%)	# emitters	Emitter size (μ m)	Emitter pitch (μ m)	I _{op} (A)	I _{in} (A)	η (W/A)	e-o eff (%)	SA div* (°)	FA div* (°)	Polarization direction	Optics options
20	30	19	150	500	20	4	1.2	58	7	36	TE	FAC/SAC
40	30	19	150	500	42	8	1.1	53	down to 6	36	TE/TM	FAC/SAC
40	50	47	100	200	45	12	1.2	55	6	36	TE	FAC
50	18	19	90	500	50	8	1.19	55	10	31	TE	FAC/SAC
50	20	19	100	500	46	6	1.25	62	6	36	TE	FAC/SAC
50	30	19	150	500	50	10	1.25	55	down to 6	36	TE/TM	FAC/SAC
60	18	19	90	500	58	8	1.20	57	10	31	TE	FAC/SAC
60	20	19	100	500	57	7	1.2	62	6	36	TE	FAC/SAC
60	27	19	135	500	56	10	1.3	59	7	27	TE	FAC/SAC
60	30	19	150	500	60	10	1.2	59	6	36	TE	FAC/SAC
60	50	47	100	200	65	15	1.2	56	down to 6	36	TE/TM	FAC
70	28	19	140	500	73	12	1.15	53	10	31	TE	FAC/SAC
80	28	19	140	500	79	12	1.19	56	10	29	TE	FAC/SAC
80	50	48	100	200	92	25	1.15	51	6	36	TE	FAC
100	50	25	200	400	120	25	1.05	46	down to 7	31	TE	FAC
200	90	60	150	160	180	22	1.27	62	10	31	TM	FAC
250	80	34	220	289	190	24	1.2	60	8	37	TE	FAC
300	67	62	100	150	266	16	1.2	56	8	36	TE	FAC
300	90	60	150	160	270	30	1.25	56	10	31	TE	FAC
500	67	62	100	150	450	30	1.2	56	8	36	TE	FAC
500	80	34	220	289	450	30	1.19	56	8	37	TE	FAC

Spectral width* ~ 3 nm

Wavelength thermal shift ~ 0.27 nm/K

Voltage drop ~ 2 V

* Measured at FWHM

Super high brightness

The lack of a "smile" allows a superior beam quality. Together with a double-side macro channel coolers our diode bars achieve higher energy per pulse and excellent beam quality, thus higher brightness



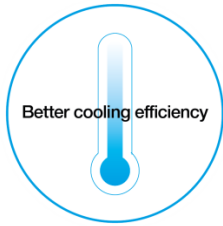
AS-MOUNT / 780 - 830 nm

Product specification are subject to change without notice.
For complete details, please contact your local MONOCROM Representative.

UNE EN ISO 9001:2008

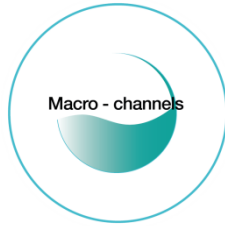
MONOCROM S.L.

C/Vilanoveta 6
08800 Vilanova i la Geltrú (Barcelona)
Spain
T. +34 938 149 450
F. +34 938 143 767
E. sales@monocrom.com
www.monocrom.com



Better cooling efficiency

Our diode bars are in direct contact with 2 heat sinks that help them cool easier



Macro - channels

We avoid water obstructions thanks to the use of macro-channels



No mechanical stress

Solder-free clamped bars expand and contract freely avoiding mechanical stress



No smile effect

Our patented solder-free technology is used in our diode bars stacks. Thanks to it we avoid smile effect and provide stacks with better overall performance.

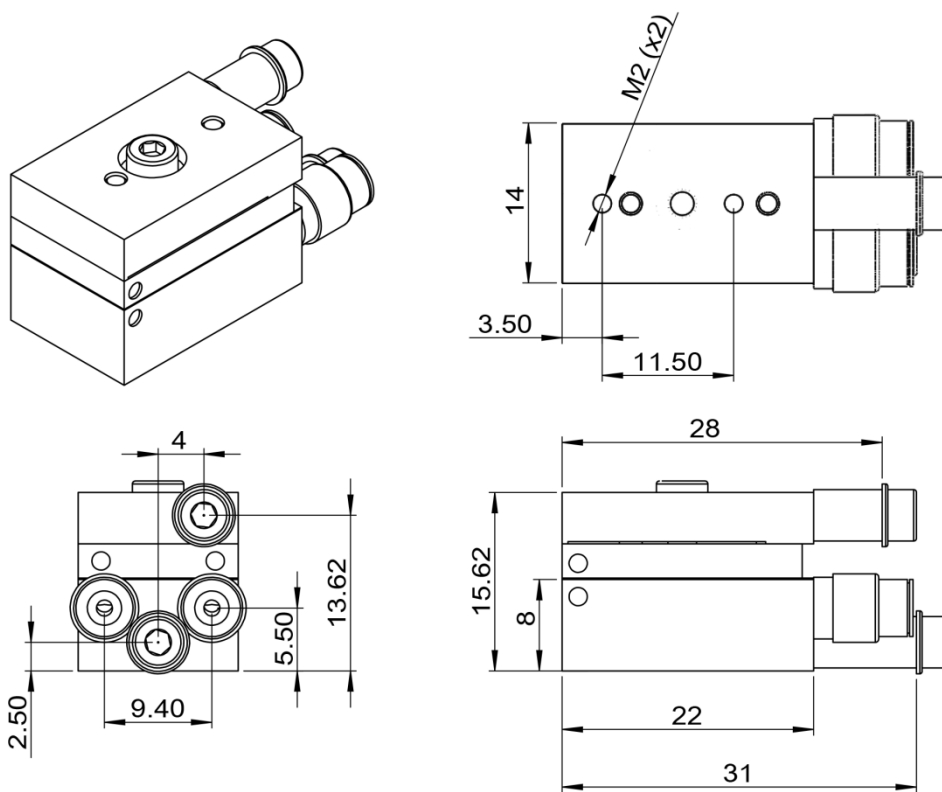


+ life

When mechanical stress is not an issue any more, product life-time increases significantly

Outline

1 bar package



Ordering Information:



800 Village Walk #316
 Guilford, CT 06437
 Ph: 203-401-8093
 Email orders to: sales@xsoptix.com
 Fax orders to: 800-878-7282

AS-MOUNT / 780 - 830 nm

Product specification are subject to change without notice. For complete details, please contact your local MONOCROM Representative.

UNE EN ISO 9001:2008

MONOCROM S.L.

C/Vilanoveta 6
 08800 Vilanova i la Geltrú (Barcelona)
 Spain
 T. +34 938 149 450
 F. +34 938 143 767
 E. sales@monocrom.com
www.monocrom.com