



Crafting ideas into light

A-STACK

Actively Cooled Stack

A water cooled stack with macro-channels that avoid the common issues with obstructions. A huge variety of bars is available in this package and the central wavelength can be tuned to your needs



A-STACK / 930 - 940 nm

Product specification are subject to change without notice.
For complete details, please contact your local MONOCROM Representative.

UNE EN ISO 9001:2008

MONOCROM S.L.

C/Vilanoveta 6
08800 Vilanova i la Geltrú (Barcelona)
Spain
T. +34 938 149 450
F. +34 938 143 767
E. sales@monocrom.com
www.monocrom.com

P _{peak} (W)	Fill Factor (%)	# emitters	Emitter size (μm)	Emitter pitch (μm)	I _{op} (A)	I _{th} (A)	η (W/A)	e-o eff (%)	SA div* (°)	FA div* (°)	Optics options
60	20	19	100	500	60	5	1.1	62	5	27	FAC/SAC
60	30	19	150	500	62	7	1.1	62	5	27	FAC/SAC
80	20	19	100	500	77	7	1.1	62	5	27	FAC/SAC
80	30	19	150	500	82	9	1.1	61	5	27	FAC/SAC
80	50	47	100	200	84	11	1.1	62	5	27	FAC
120	50	25	200	400	124	16	1.1	63	6	30	FAC
120	50	47	100	200	123	14	1.1	62	5	27	FAC
150	50	48	100	200	149	16	1.1	63	4	26	FAC
300	75	37	190	250	290	26	1.15	60	7	23	FAC
400	80	34	220	289	370	20	1.1	65	7	30	FAC

Bar to bar pitch down to 2.5 mm

Spectral width* ~ 3 nm

Wavelength thermal shift ~ 0.3 nm/K

Polarization direction: TE >90%

Voltage drop per bar ~ 2 V

Smile < 0.5 μm

* Measured at FWHM

Macro channels

Our patented solder-free technology is used in our diode bars stacks. Thanks to its 2 side cooling we avoid water obstructions thanks to the use of macro-channels



Clamping™ patented technology

main advantages



Better cooling efficiency
Our diode bars are in direct contact with 2 heat sinks that help them cool easier



No mechanical stress
Clamped bars expand and contract freely during the thermal cycles of the pulsed regime avoiding mechanical stress.



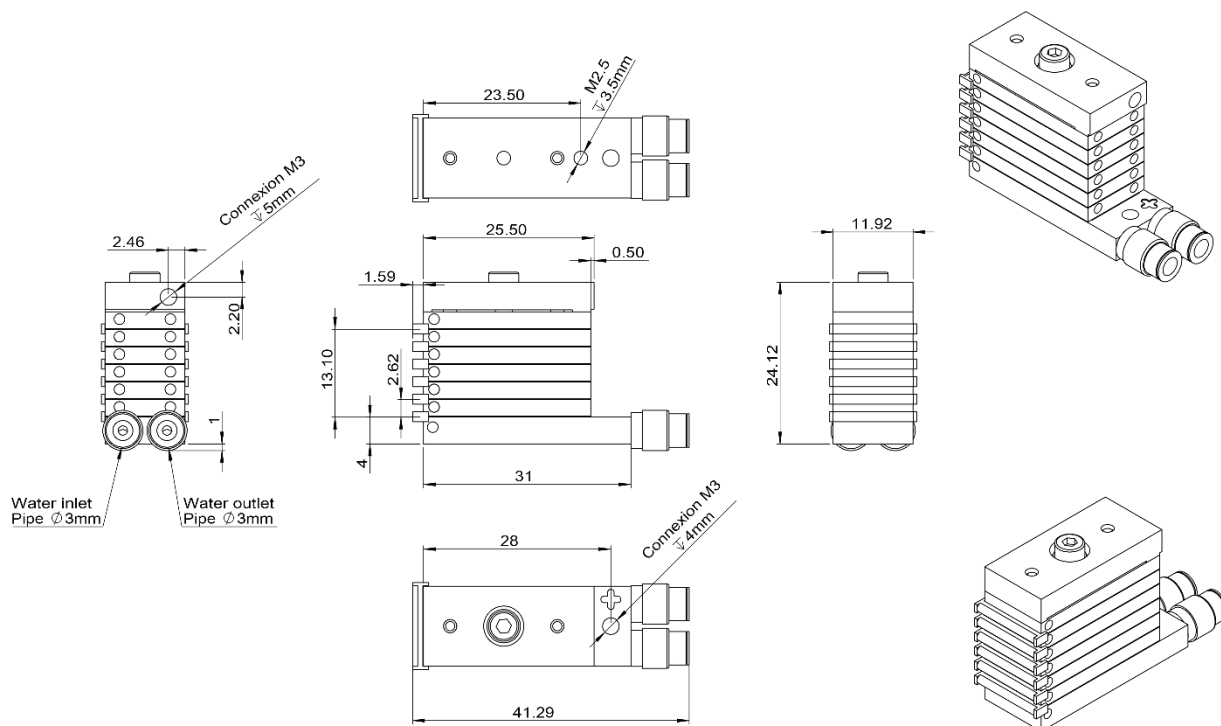
No smile effect
Our diode bar mounts don't smile even though they live happily



Higher brightness
The lack of a "smile" allows a superb beam. Our diode bar mounts achieve higher energy per pulse and excellent beam quality, thus higher brightness



+ life
When mechanical stress is not an issue any more, product life-time increases significantly



Ordering Information:



800 Village Walk #316
 Guilford, CT 06437
 Ph: 203-401-8093

Email orders to: sales@xsoptix.com
 Fax orders to: 800-878-7282

A-STACK / 930 - 940 nm

Product specification are subject to change without notice.
 For complete details, please contact your local MONOCROM Representative.

UNE EN ISO 9001:2008

MONOCROM S.L.

C/Vilanoveta 6
 08800 Vilanova i la Geltrú (Barcelona)
 Spain
 T. +34 938 149 450
 F. +34 938 143 767
 E. sales@monocrom.com
www.monocrom.com