



Crafting ideas into light

A-STACK

Actively Cooled Stack

A water cooled stack with macro-channels that avoid the common issues with obstructions. A huge variety of bars is available in this package and the central wavelength can be tuned to your needs



A-STACK / 910 - 920 nm

Product specification are subject to change without notice.
For complete details, please contact your local MONOCROM Representative.

UNE EN ISO 9001:2008

MONOCROM S.L.

C/Vilanoveta 6
08800 Vilanova i la Geltrú (Barcelona)
Spain
T. +34 938 149 450
F. +34 938 143 767
E. sales@monocrom.com
www.monocrom.com

P _{peak} (W)	Fill Factor (%)	# emitters	Emitter size (μm)	Emitter pitch (μm)	I _{op} (A)	I _m (A)	η (W/A)	e-o eff (%)	SA div* (°)	FA div* (°)	Optics options
40	30	19	150	500	40	4	1.1	60	7	27	FAC/SAC
60	20	19	100	500	59	5	1.1	57	6	27	FAC/SAC
80	20	19	100	500	78	8	1.15	62	6	27	FAC/SAC
80	30	19	150	500	81	8	1.1	62	7	27	FAC/SAC
120	50	25	200	400	124	16	1.09	63	6	30	FAC
120	50	48	100	200	133	20	1.1	57	6	26	FAC
150	50	24	200	400	150	16	1.1	60	6	26	FAC
150	50	48	100	200	150	16	1.1	60	6	26	FAC

Up to 8 bars

Bar to bar pitch down to 2.5 mm

Spectral width* ~ 3 nm

Wavelength thermal shift ~ 0.3 nm/K

Polarization direction: TE >90%

Voltage drop per bar ~ 2 V

Smile < 0.5 μm

* Measured at FWHM

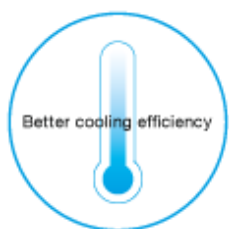
Macro channels

Our patented solder-free technology is used in our diode bars stacks. Thanks to its 2 side cooling we avoid water obstructions thanks to the use of macro-channels



Clamping™ patented technology

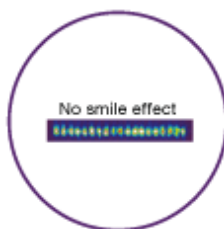
main advantages



Our diode bars are in direct contact with 2 heat sinks that help them cool easier



Clamped bars expand and contract freely during the thermal cycles of the pulsed regime avoiding mechanical stress.



Our diode bar mounts don't smile even though they live happily



The lack of a "smile" allows a superb beam. Our diode bar mounts achieve higher energy per pulse and excellent beam quality, thus higher brightness



When mechanical stress is not an issue any more, product life-time increases significantly

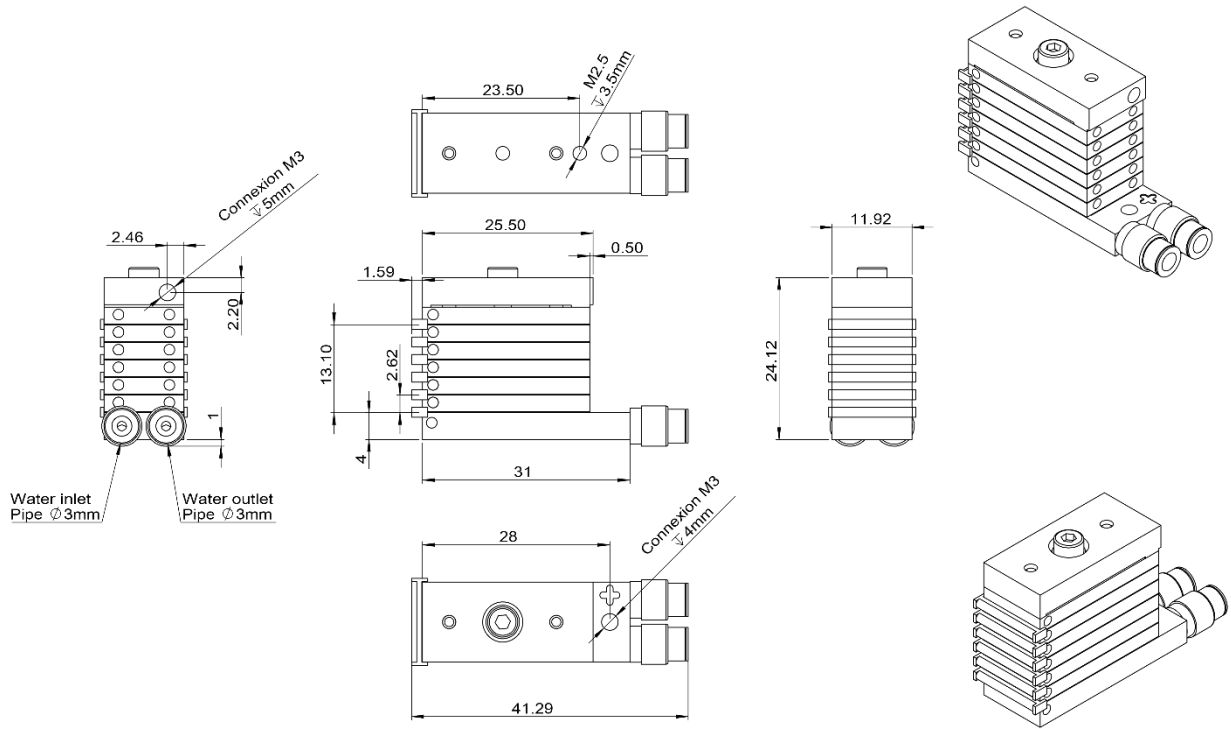
A-STACK / 910 - 920 nm

Product specification are subject to change without notice. For complete details, please contact your local MONOCROM Representative.


MONOCROM S.L.

C/Vilanoveta 6
08800 Vilanova i la Geltrú (Barcelona)
Spain
T. +34 938 149 450
F. +34 938 143 767
E. sales@monocrom.com
www.monocrom.com

UNE EN ISO 9001:2008



Ordering Information:



800 Village Walk #316
 Guilford, CT 06437
 Ph: 203-401-8093

Email orders to: sales@xsoptix.com
 Fax orders to: 800-878-7282

A-STACK / 910 - 920 nm

Product specification are subject to change without notice.
 For complete details, please contact your local MONOCROM Representative.

UNE EN ISO 9001:2008

MONOCROM S.L.

C/Vilanoveta 6
 08800 Vilanova i la Geltrú (Barcelona)
 Spain
 T. +34 938 149 450
 F. +34 938 143 767
 E. sales@monocrom.com
 www.monocrom.com