

Updated by COF on 6 March 2013 / Checked by GVM

C. Vilanoveta, 6
08800 Vilanova i la Geltrú
Barcelona | Spain

info@monocrom.com
Telf.: +34 938 149 450
Fax.: +34 938 143 767
www.monocrom.com

Product Division

LDM Laser Diode Modules

Product

O - Series VIS

Description

Collimated or pre-focused Visible wavelength Laser Diode Module

Main Features

- Small size
- Low bore-sight
- Housing electrically isolated
- Low operation current
- High quality lens, and excellent optical performance
- Wide range of wavelengths available

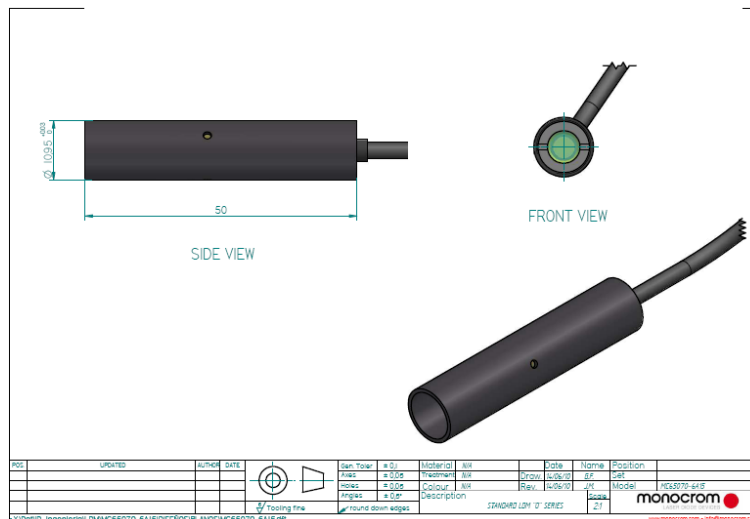
Some Applications

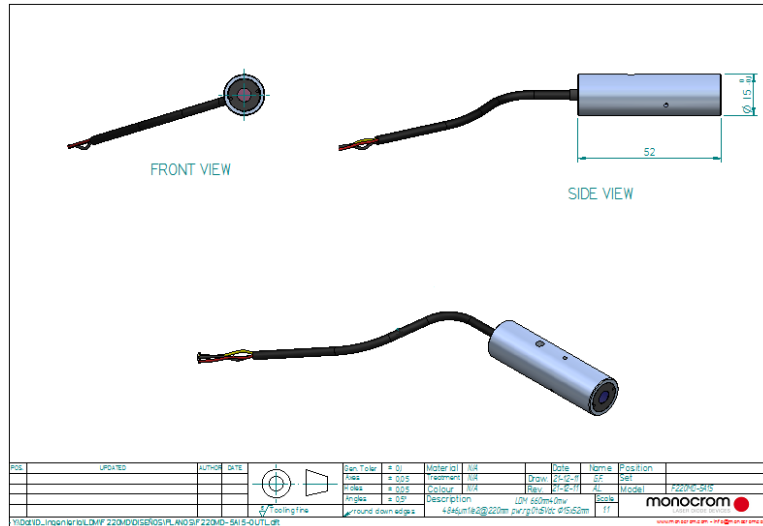
- Automatics & Robotics
- Guidance
- Bio-medics
- Aesthetics
- Lighting
- Imaging

Picture



Outline





COLLIMATED OR PRE-FOCUSED LASER DIODE MODULE

O-Series

ORDERING LDM STANDARD PART NUMBER CODE				MC-WW PP H-A LLL		
MC: Standard basic LDM	ww: Wavelength	pp: Optical power	H: Housing	A: Clear aperture	LLL: Optics	F: Focusing distance

GENERAL SPECIFICATIONS FOR STANDARD DIODE LASER MODULES									
Model "MC wwpp O"	4005	6305	6307	6310	6335*	6507	6535	6690*	6705
Wavelength (20°C) [nm]	405±5	635±5	635±5	635±5	635±5	655±5	655±5	660(-10/+5)	675±5
Output power Po [mW] with 7A10	4 to 4,7	4 to 4,7	5,6 to 6,7	8 to 9,5	23 to 26	5,6 to 6,7	23 to 26	70	4 to 4,7
Op. current typ. for Po. max (mA for max.Po@25°C)	60	50	55	60	100	60	100	150	50
Operating temperature [°C]	-10 to 40								
Storage temperature [°C]	-40 to 85								
Clear aperture	See table "OPTICS OPTIONS"								
Divergence	See table "OPTICS OPTIONS"								
Polarisation ratio	>50:1								
Output power stability	<0.5%RMS								
Bore sight, typical	< 1 mrd								
Reverse voltage protection circuit	Built in								
Op. voltage for cw operation	6 Vdc	4,5 (-0.2, +1V) Vdc Available on 24V DC with external Regulator along the cable							
Expected lifetime	>10.000 Hours								
Connection	200mm Flying leads (red:+/black:-) or 200mm cable + 2,1mm jack								
Laser product class	According with the radiant flux and EN-60825 classification, duly identified by labels.								
Housings	Hard anodizing Al Ø11(+0/-0.05)x50mm Hard anodizing Al Ø15(+0/-0.05)x52mm								
Weight	≤27 gr								

Conditions @ 25°C while not specified. Specifications could change depending on LD used.

Lower power or pre-focusing at factory on request

Ø15mm recommended for I>80mA.

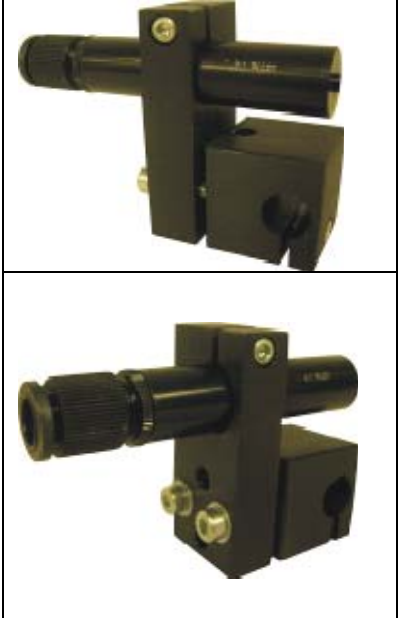
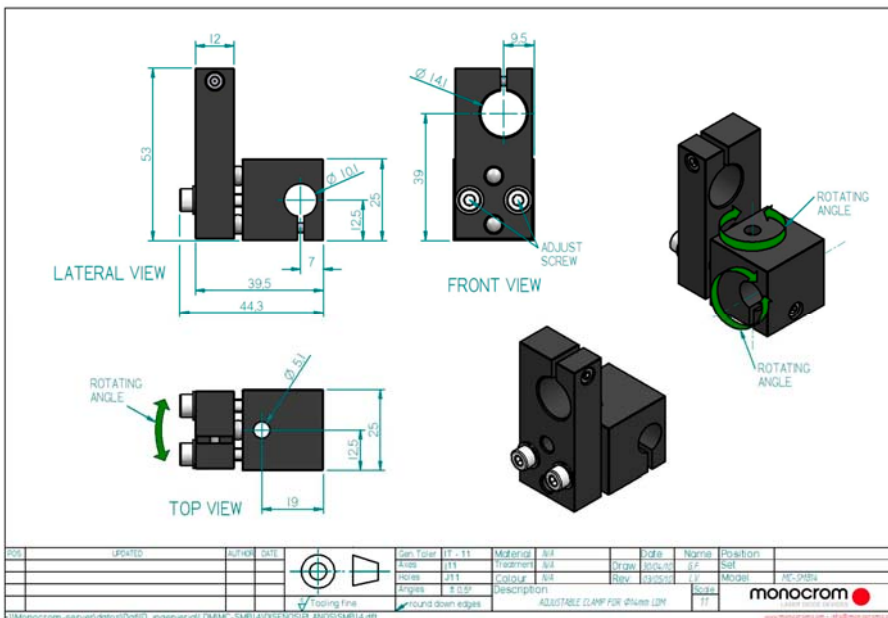
* Only available with Ø15mm housing.

		OPTICS OPTIONS																
Lens Type	A10						A15						L05	L10	L20	L50	L100	
	Glass aspheric						Glass aspheric						Glass cylindrical for line tracing					
Clear aperture (A) [mm]	2	3	4	5	6	7	2	3	4	5	6	6	6	4	6	4		
Relative efficiency [%] to Po.max.	20	30	70	80	90	100	10	15	20	40	60	70	70	60	70	60		
Typ. Divergence [mrd] (collimated beam)	0,5						0,3						0,3	0,4	0,6	0,7	0,8	
Fan angle	-						-						5	10	20	50	100	
Main feature	High transmission						Low divergence						Minimum line bowing					

Optics specifications are subject to change depending on the LD used.

ACCESSORIES: (optionally)

MC-SMB14 with A14D11 adaptor ring to Ø11mm



PSLDM5

F.A. Converter
220V AC to 4,5VDC / 1,2 A
Established Europlug



Ordering Information:



800 Village Walk #316
Guilford, CT 06437
Ph: 203-401-8093

Email orders to: sales@xsoptix.com
Fax orders to: 800-878-7282