

# FIBER-Q®

## 780 nm Fiber Coupled Acousto-Optic Modulator

T-M150-0.5C2W-3-F2S / T-M150-0.5C2W-3-F2P<sup>1</sup>

Gooch & Housego specialize in providing optical components for high power fiber laser and amplifier systems.

In house control of critical manufacturing processes, from crystalline material selection and orientation, cutting, polishing and AR coating through to fiber coupling, ensure our components are of the highest optical quality.

In addition to the standard product shown, custom configurations are available for specialized applications.



### Key Features

- Low insertion loss
- Compact low profile package
- Rugged hermetic design
- Stable performance
- Custom configurations available

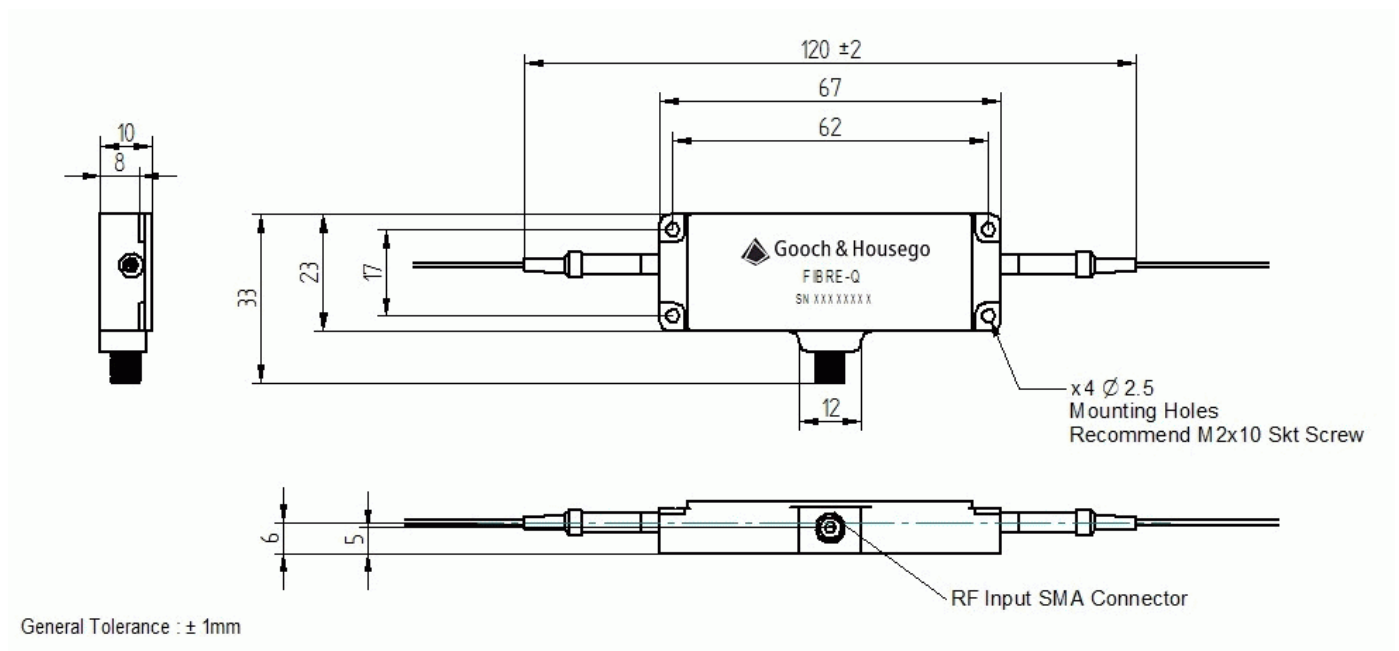
### Applications

- Biomedical
- Optical sensing
- Pulse picker

780 NM FIBER COUPLED ACOUSTO-OPTIC MODULATOR

## General Specifications

Parameter	Min	Max	Typical	Comments
Interaction material	-	-	-	Tellurium dioxide
Wavelength	-	-	780 nm	
Average optical power handling	-	1 W	-	
Peak optical power handling	-	1 kW	-	Dependent on pulse width
Insertion loss	-	3 dB	-	
Polarization dependent loss	-	0.5 dB	-	
Polarization extinction ratio <sup>1</sup>	-	-	15 dB	
Extinction ratio	50 dB	-	-	
Return loss (RF ON/RF OFF)	40 dB	-	-	
Rise-time/fall-time: (10%-90%)	-	50 ns	-	
Frequency	-	-	150 MHz	
VSWR	-	1.5:1	-	
Input impedance	-	-	50 $\Omega$	
RF power	-	1 W	-	Absolute maximum rating. Higher power will cause damage.
Frequency shift	-	-	150 MHz	Upshift
Fiber type	-	-	-	Nufern 780-HP/ PM780-HP <sup>1</sup> or equivalent
Fiber length	1.5 m	-	-	900 $\mu$ m PVDF sleeving
Fiber termination:	-	-	-	Bare



### Other products which may be of interest

- HI REL couplers
- High power multimode combiners
- Combiners with all types of signal feedthrough fiber
- Ultra-low ratio tap couplers
- WDMs for combining signals with red pointer lasers
- OCT wideband couplers

**Ordering Information:**



800 Village Walk #316  
 Guilford, CT 06437  
 Ph: 203-401-8093

Email orders to: [sales@xsoptix.com](mailto:sales@xsoptix.com)  
 Fax orders to: 800-878-7282

For further information

E: [torquaysales@goochandhousego.com](mailto:torquaysales@goochandhousego.com) [goochandhousego.com](http://goochandhousego.com)