

Fiber-Q®

2000 nm Fiber Coupled Acousto-Optic Modulator

T-M250-0.3C16Z-3-F2P

The Fiber-Q® acousto-optic modulator is designed for use in pulsed fiber laser amplifier systems and as a pulse picker for short pulse, high rep rate fiber lasers.

Gooch & Housego specialize in providing optical components for high power fiber laser and amplifier systems. In-house control of critical manufacturing processes; from crystalline material selection and orientation, cutting, polishing and anti-reflection coating through to fiber coupling, ensure our components are of the highest optical quality.

In addition to the standard product shown, custom configurations are available for specialized applications.



Key Features

- Low insertion loss
- Compact low profile package
- Rugged hermetic design
- Stable performance
- Custom configurations available

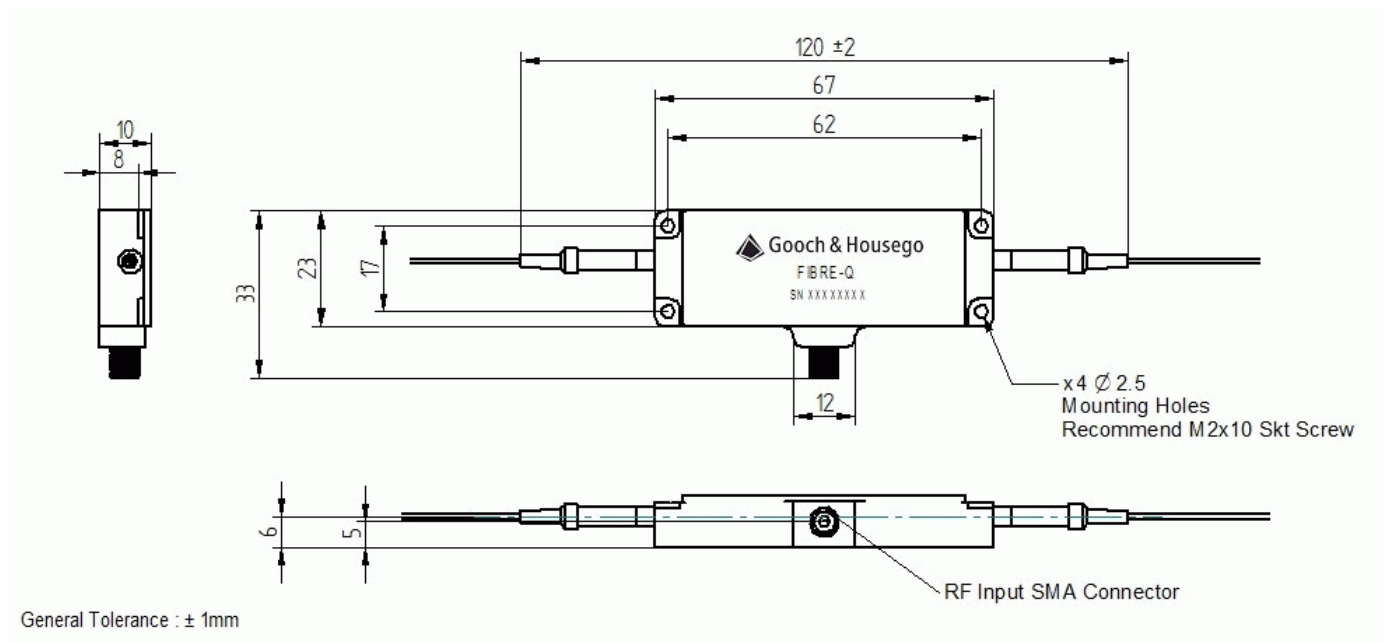
Applications

- Fiber laser
- Pulse picker
- Optical sensing

2000 NM FIBER COUPLED ACOUSTO-OPTIC MODULATOR

General Specifications

Parameter	Min	Max	Typical	Comments
Interaction material	-	-	-	Silicon
Wavelength	-	-	2000 nm	
Average optical power handling	-	1 W	-	
Peak optical power handling	-	1 kW	-	Dependent on pulse width
Insertion loss	-	4 dB	-	
Polarization extinction ratio	15 dB	-	-	
Extinction ratio	50 dB	-	-	
Return loss (RF ON/RF OFF)	40 dB	-	-	
Rise-time/fall-time: (10% - 90%)	-	20 ns	-	
Frequency	-	-	250 MHz	
VSWR	-	1.5:1	-	
Input impedance	-	-	50 Ω	
Peak RF power	-	6 W	-	Max duty cycle 10% Max pulse-length 1 μ s
Fiber type	-	-	-	Nufern PM-GDF-10/130-2000-M (slow axis propagation) or equivalent
Fiber length	1.5 m	-	-	900 μ m PVDF sleeving
Fiber termination	-	-	-	Bare fiber



Other products which may be of interest

- HI REL couplers
- High power multimode combiners
- Combiners with all types of signal feedthrough fiber
- Ultra-low ratio tap couplers
- WDMs for combining signals with red pointer lasers
- OCT wideband couplers

Ordering Information:



800 Village Walk #316
 Guilford, CT 06437
 Ph: 203-401-8093

Email orders to: sales@xsoptix.com
 Fax orders to: 800-878-7282

For further information

E: torquaysales@goochandhousego.com goochandhousego.com