

FIBER-Q®

1550 nm Fiber Coupled Acousto-Optic Modulator

T-M300-0.1C16J-3-F2P

Gooch & Housego specialize in providing optical components for fiber laser systems.

G&H specialize in providing optical components for high power fiber laser and amplifier systems. In-house control of critical manufacturing processes from crystalline material selection and orientation, cutting, polishing and anti-reflection coating through to fiber coupling, ensure our components are of the highest optical quality.

In addition to the standard product shown, custom configurations are available for specialized applications.



Key Features

- Low insertion loss
- Compact low profile package
- Rugged hermetic design
- Stable performance
- Custom configurations available
- Fast switching speed

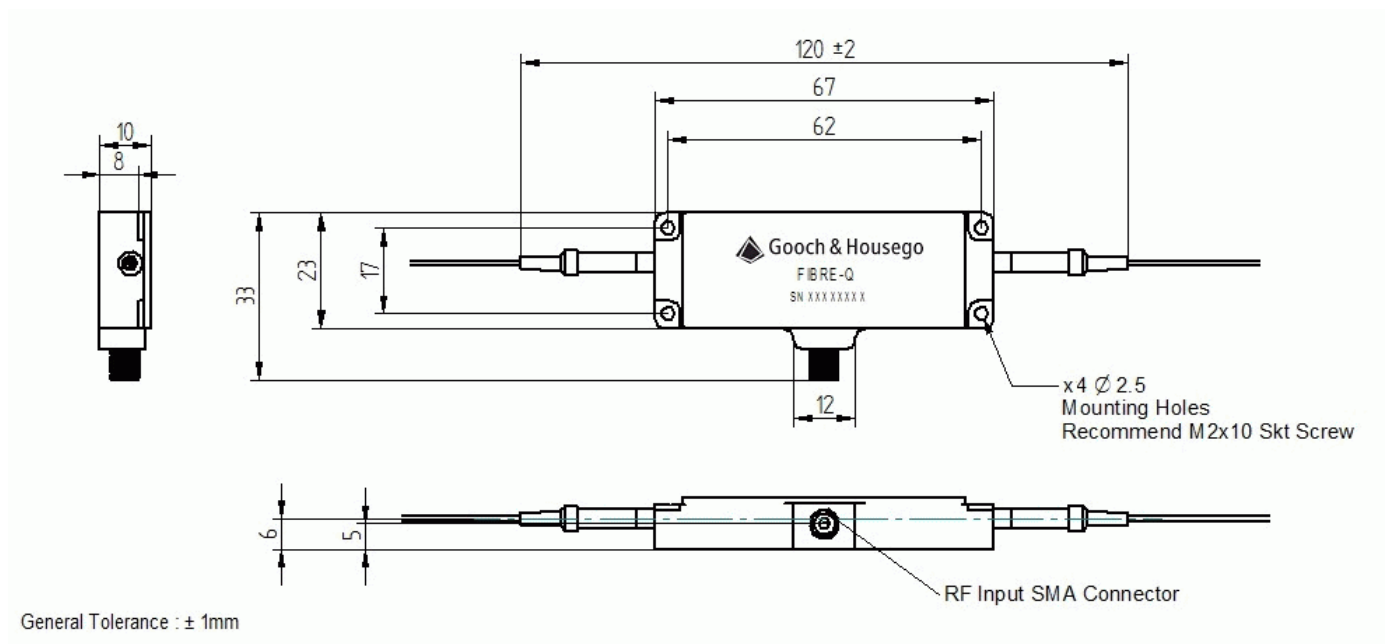
Applications

- Optical sensing
- Pulse picker
- Fiber laser

1550NM FIBER COUPLED ACOUSTO-OPTIC MODULATOR

General Specifications

Parameter	Min	Max	Typical	Comments
Interaction material	-	-	-	Silicon
Wavelength	1530 nm	1565 nm	1550 nm	
Average optical power handling	-	1 W	-	
Peak optical power handling	-	1 kW	-	Dependent on pulse width
Insertion loss	-	3 dB	-	
Polarization extinction ratio	15 dB	-	-	
Extinction ratio	50 dB	-	-	
Return loss (RF ON/RF OFF)	40 dB	-	-	
Rise-time/fall-time: (10% - 90%)	-	6 ns	-	
Frequency	-	-	300 MHz	
VSWR	-	1.5:1	-	
Input impedance	-	-	50 Ω	
Peak RF power	-	5 W	-	Max duty cycle 20% Max pulse-length 1 μ s
Fiber type	-	-	-	Fujikura PM1550 (SM15-PS-U25A) or equivalent
Fiber length	1.5 m	-	-	900 μ m PVDF sleeving
Fiber termination	-	-	-	Bare fiber



Other products which may be of interest

- HI REL couplers
- High power multimode combiners
- Combiners with all types of signal feedthrough fiber
- Ultra-low ratio tap couplers
- WDMs for combining signals with red pointer lasers
- OCT wideband couplers

Ordering Information:



800 Village Walk #316
 Guilford, CT 06437
 Ph: 203-401-8093

Email orders to: sales@xsoptix.com
 Fax orders to: 800-878-7282

For further information

E: torquaysales@goochandhousego.com

goochandhousego.com

1550NM FIBER COUPLED ACOUSTO-OPTIC MODULATOR