

# FIBER-Q®

## 1060 nm Fiber Coupled Acousto-Optic Modulator

T-M150-0.4C2G-3-F2S

The Fiber-Q® acousto-optic modulator is designed for use in pulsed fiber laser amplifier systems. Giving optimum performance in demanding applications, such as material processing.

In-house control of critical manufacturing processes, from crystalline material selection and orientation, cutting, polishing and anti-reflection coating through to fiber coupling, ensure our components are of the highest optical quality.

In addition to the standard product shown, custom configurations are available for specialized applications.



### Key Features

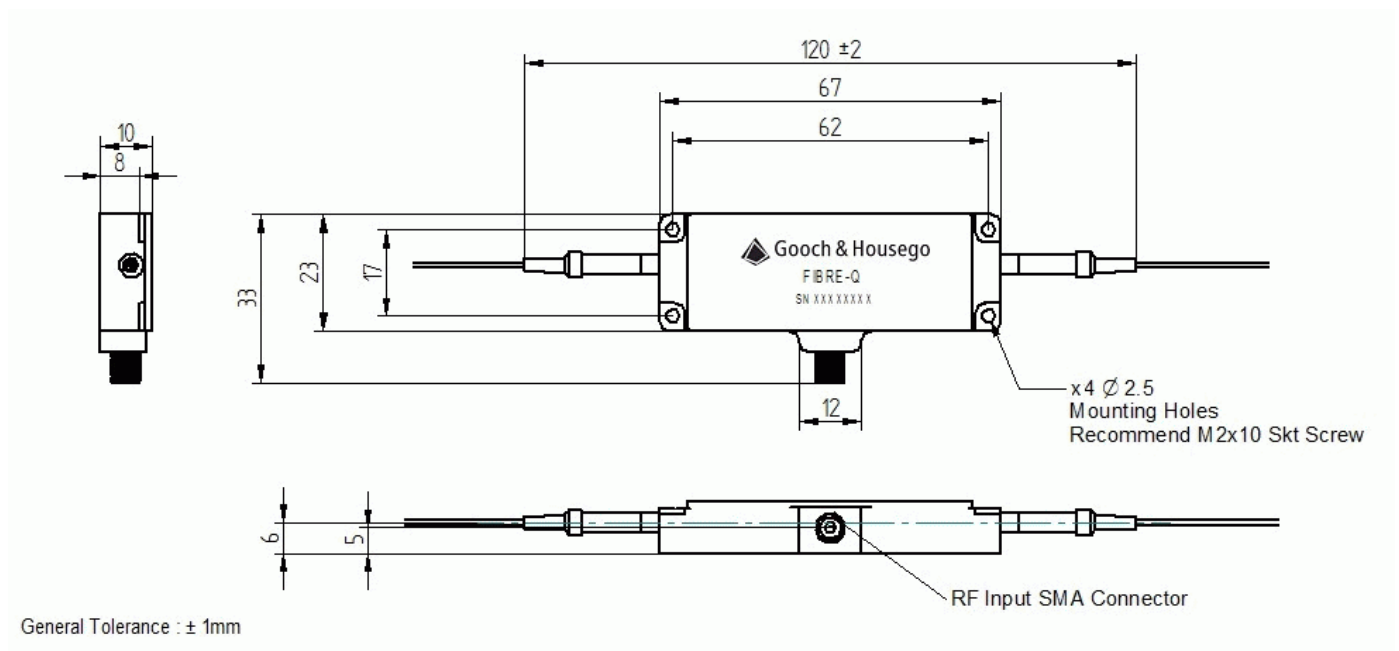
- Low insertion loss
- Compact low profile package
- Rugged hermetic design
- Stable performance
- Custom configurations available

### Applications

- Fiber laser
- Fiber Amplifier
- Pulse picker

## General Specifications

Parameter	Min	Max	Typical	Comments
Interaction material	-	-	-	Tellurium dioxide
Wavelength	1030 nm	1090 nm	1060 nm	Other wavelengths available on request
Average optical power handling	-	5 W	-	
Peak (pulse) optical power handling	-	30 kW	-	Dependent on pulse width
Insertion loss	-	2 dB	1.7 dB	
Polarization dependent loss	-	0.5 dB	0.2 dB	
Extinction ratio	50 dB	-	-	
Return Loss (RF ON / RF OFF)	40 dB	-	-	
Rise-time/fall-time: (10% - 90%)	-	30 ns	-	
Frequency	-	-	150 MHz	
VSWR	-	1.2:1	-	
Input impedance	-	-	50 $\Omega$	
RF power	-	2 W	-	Absolute maximum rating. Higher power will cause damage.
Frequency shift	-	-	150 MHz	Upshift
Fiber type	-	-	-	HI1060
Fiber length	1.5 m	-	-	900 $\mu$ m PVDF sleeving
Fiber termination	-	-	-	Bare fiber



### Other products which may be of interest

- HI REL couplers
- High power multimode combiners
- Combiners with all types of signal feedthrough fiber
- Ultra-low ratio tap couplers
- WDMs for combining signals with red pointer lasers
- OCT wideband couplers

**Ordering Information:**



800 Village Walk #316  
 Guilford, CT 06437  
 Ph: 203-401-8093

Email orders to: [sales@xsoptix.com](mailto:sales@xsoptix.com)  
 Fax orders to: 800-878-7282

For further information

E: [torquaysales@goochandhousego.com](mailto:torquaysales@goochandhousego.com)

[goochandhousego.com](http://goochandhousego.com)

1060 NM FIBER-COUPLED ACOUSTO-OPTIC MODULATOR