

# EYP-RWS-0633-00005-2000-BFY02-0000

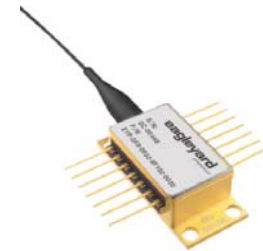
Revision 0.70

2017-07-05

## SINGLE FREQUENCY LASER DIODES Stabilized Ridge Waveguide Laser

### General Product Information

Product	Application
633 nm RWS Laser	HeNe Laser Replacement
with hermetic 14-Pin Butterfly Housing (RoHS compliant)	Spectroscopy, Metrology, Sensing
including Monitor Diode, Thermoelectric Cooler and Thermistor	
with SM Fiber with angle-polished Connector (APC)	



### Absolute Maximum Ratings

Parameter	Symbol	Unit	min	typ	max
Storage Temperature	$T_S$	°C	-40		85
Operational Temperature at Case	$T_C$	°C	-20		75
Operational Temperature at Laser Chip	$T_{LD}$	°C	-5		25
Forward Current	$I_F$	mA			180
Reverse Voltage	$V_R$	V			2
Output Power	$P_{opt}$	mW			6
TEC Current	$I_{TEC}$	A			1.8
TEC Voltage	$V_{TEC}$	V			3.2

### Measurement Conditions / Comments

Stress in excess of one of the Absolute Maximum Ratings may damage the laser. Please note that a damaging optical power level may occur although the maximum current is not reached. These are stress ratings only, and functional operation at these or any other conditions beyond those indicated under Recommended Operational Conditions is not implied.

### Recommended Operational Conditions

Parameter	Symbol	Unit	min	typ	max
Operational Temperature at Case	$T_{case}$	°C	0		50
Operational Temperature at Laser Chip	$T_{LD}$	°C	10		18
Forward Current	$I_F$	mA		100	160
Output Power	$P_{opt}$	mW			5

### Measurement Conditions / Comments

measured by integrated Thermistor

ex fiber

### Characteristics at $T_{LD} = 15^\circ$ at BOL

Parameter	Symbol	Unit	min	typ	max
Center Wavelength	$\lambda_c$	nm	632	633	634
Selectable Linewidth	$\Delta\lambda$	pm			0.1
Overall Linewidth	$\Delta\lambda$	nm			0.2
Temperature Coefficient of Wavelength	$d\lambda / dT$	nm / K		0.045	
Current Coefficient of Wavelength	$d\lambda / dI$	nm / mA		0.001	
Sidemode Suppression Ratio	SMSR	dB	30		

### Measurement Conditions / Comments

see images on page 4

single mode operation (see p. 4)

multi mode operation (see p. 4)

5 mW

# EYP-RWS-0633-00005-2000-BFY02-0000

Revision 0.70

2017-07-05

## SINGLE FREQUENCY LASER DIODES Stabilized Ridge Waveguide Laser



### Characteristics at $T_{LD} = 15^\circ$ at BOL cont'd

Parameter	Symbol	Unit	min	typ	max
Laser Current @ $P_{opt} = 5$ mW	$I_{LD}$	mA			160
Slope Efficiency	$\eta$	W / A	0.1	0.2	0.3
Threshold Current	$I_{th}$	mA		80	120

### Measurement Conditions / Comments

I<sub>th</sub> drift may occur, no violation of the max. value

### Monitor Diode

Parameter	Symbol	Unit	min	typ	max
Monitor Detector Responsivity	$I_{mon} / P_{opt}$	μA/mW	5		200

### Measurement Conditions / Comments

 $U_R = 5$  V

### Thermoelectric Cooler

Parameter	Symbol	Unit	min	typ	max
Current	$I_{TEC}$	A		0.4	
Voltage	$U_{TEC}$	V		0.8	
Power Dissipation (total loss at case)	$P_{loss}$	W		0.5	
Temperature Difference	$\Delta T$	K			50

### Measurement Conditions / Comments

 $P_{opt} = 5$  mW,  $\Delta T = 20$  K $P_{opt} = 5$  mW,  $\Delta T = 20$  K $P_{opt} = 5$  mW,  $\Delta T = 20$  K $P_{opt} = 5$  mW,  $\Delta T = |T_{case} - T_{LD}|$ 

### Thermistor (Standard NTC Type)

Parameter	Symbol	Unit	min	typ	max
Resistance	R	kΩ		10	
Beta Coefficient	$\beta$			3892	
Steinhart & Hart Coefficient A	A			$1.1293 \times 10^{-3}$	
Steinhart & Hart Coefficient B	B			$2.3410 \times 10^{-4}$	
Steinhart & Hart Coefficient C	C			$8.7755 \times 10^{-8}$	

### Measurement Conditions / Comments

 $T_{LD} = 25^\circ$  C $R_1 / R_2 = e^{\beta(1/T_1 - 1/T_2)}$  at  $T_{LD} = 0^\circ \dots 50^\circ$  C $1/T = A + B(\ln R) + C(\ln R)^3$ 

T: temperature in Kelvin

R: resistance at T in Ohm

# EYP-RWS-0633-00005-2000-BFY02-0000

Revision 0.70

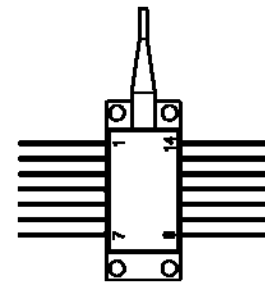
2017-07-05

## SINGLE FREQUENCY LASER DIODES Stabilized Ridge Waveguide Laser

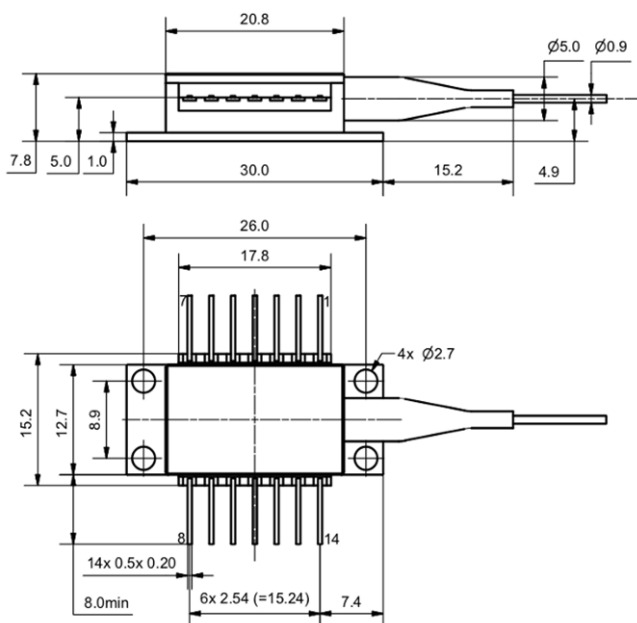
### Pin Assignment

1	Thermoelectric Cooler (+)	14	Thermoelectric Cooler (-)
2	Thermistor	13	Case
3	Photodiode (Anode)	12	not connected
4	Photodiode (Cathode)	11	Laser Diode (Cathode)
5	Thermistor	10	Laser Diode (Anode)
6	not connected	9	not connected
7	not connected	8	not connected

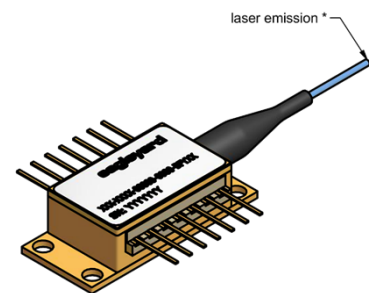
All 14 pins are isolated from case.



### Package Drawings



AIZ-16-0222-1415



### Fiber and Connector Type

SM Fiber	125 / 4.5 $\mu\text{m}$ (l = 1 +/-0.1 m)
Connector	FC/APC (narrow key / 2mm)

### Measurement Conditions / Comments

# EYP-RWS-0633-00005-2000-BFY02-0000

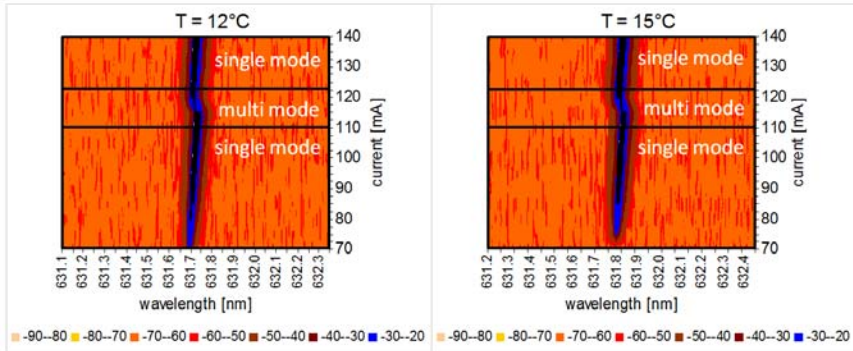
Revision 0.70

2017-07-05

## SINGLE FREQUENCY LASER DIODES Stabilized Ridge Waveguide Laser

### Typical Measurement Results

Spectral Maps at 12° C and 15° C



Performance figures, data and any illustrative material provided in this specification are typical and must be specifically confirmed in writing by eagleyard Photonics before they become applicable to any particular order or contract. In accordance with the eagleyard Photonics policy of continuous improvement specifications may change without notice.

**Ordering Information:**



800 Village Walk #316  
Guilford, CT 06437  
Ph: 203-401-8093

Email orders to: [sales@xsoptix.com](mailto:sales@xsoptix.com)  
Fax orders to: 800-878-7282

### Unpacking, Installation and Laser Safety

Unpacking the laser diodes should only be done at electrostatic safe workstations (EPA). Though protection against electro static discharge (ESD) is implemented in the laser package, charges may occur at surfaces. Please store this product in its original package at a dry, clean place until final use. During device installation, ESD protection has to be maintained.

The RWS laser is sensitive against optical feedback, so an optical isolator may be required in order to avoid any disturbance of the emission spectrum. Operating at moderate temperatures on proper heat sinks will contribute to a long lifetime of the diode.

Avoid direct and/or indirect exposure to the free running beam. Collimating and focussing the free running beam with optics as common in optical instruments will increase threat to the human eye.

Performance figures, data and any illustrative material provided in this specification are typical and must be specifically confirmed in writing by eagleyard Photonics before they become applicable to any particular order or contract. In accordance with the eagleyard Photonics policy of continuous improvement specifications may change without notice.



